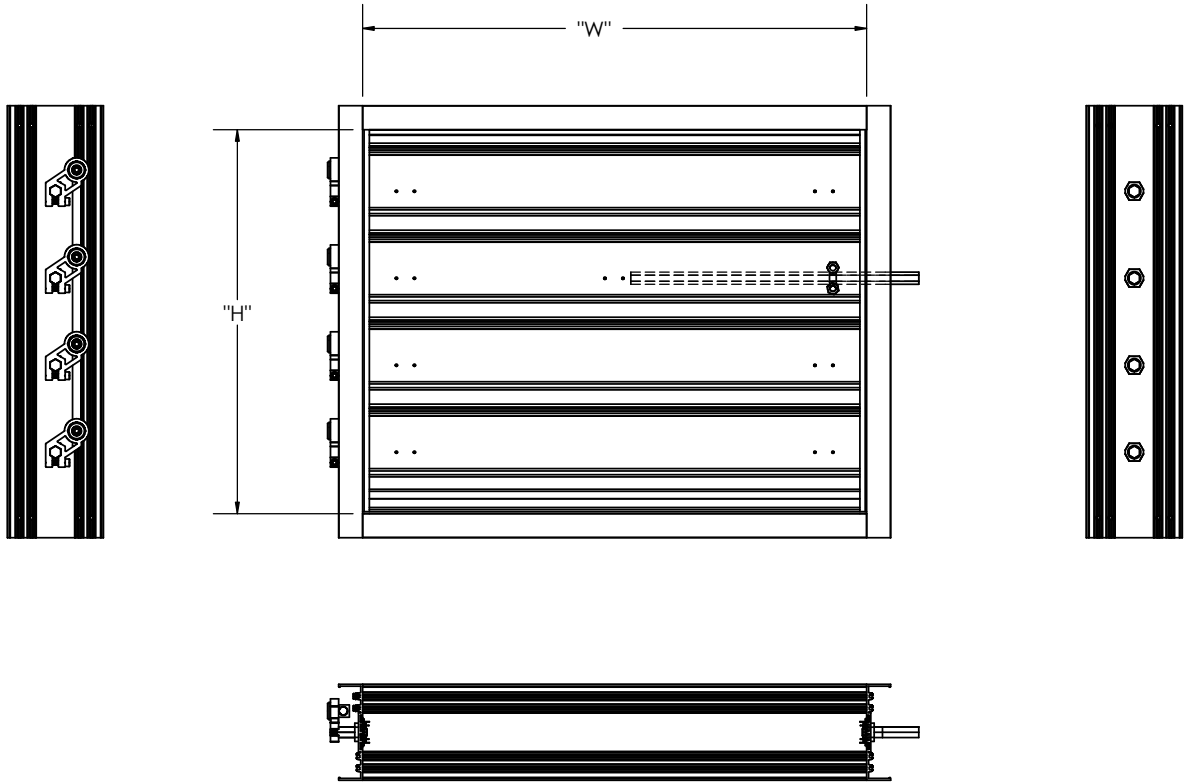
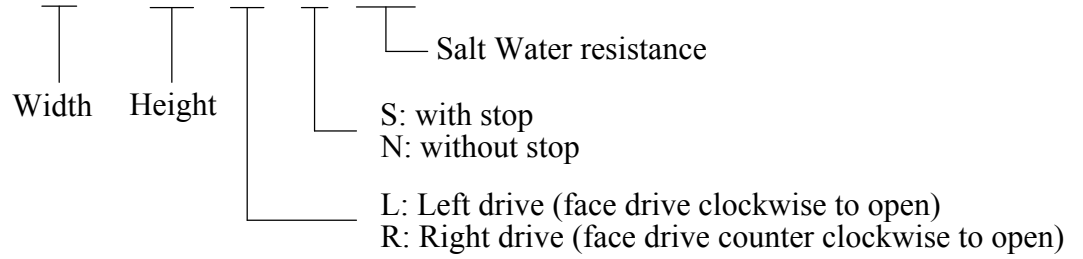


ESCPEC Inc. Air-Foil Aluminum Control Damper

Ordering part number schematic:

Series - Model - (W) x (H) - L - S - SW



For example:

100-PB-24x12-L-S, gives 100 series parallel blades 24" wide and 12" high with left drive and stop.